

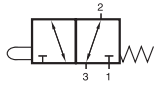
2.1

Mechanically Actuated Valves

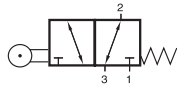
Selected models are available for explosion hazardous environment. They are ATEX-Ex certified. For detailed information refer to chapter 2.12.



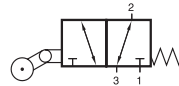
BV/BR/BL 311 201



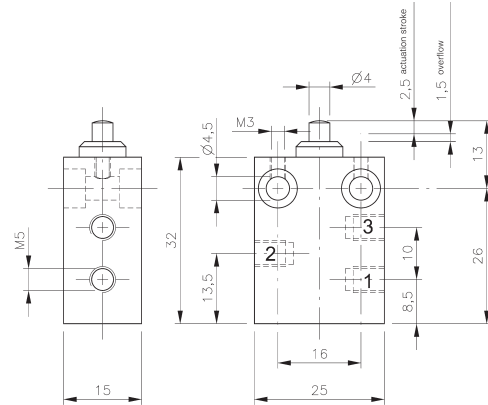
BV 311 201



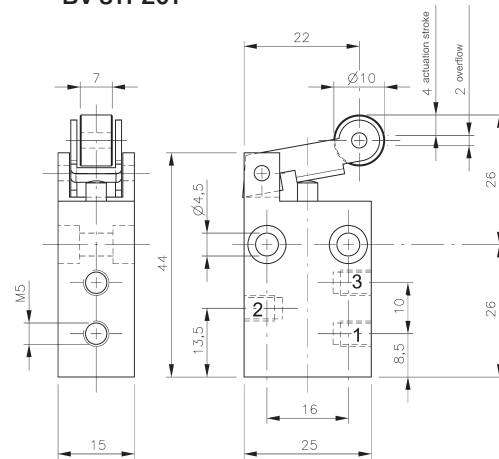
BR 311 201



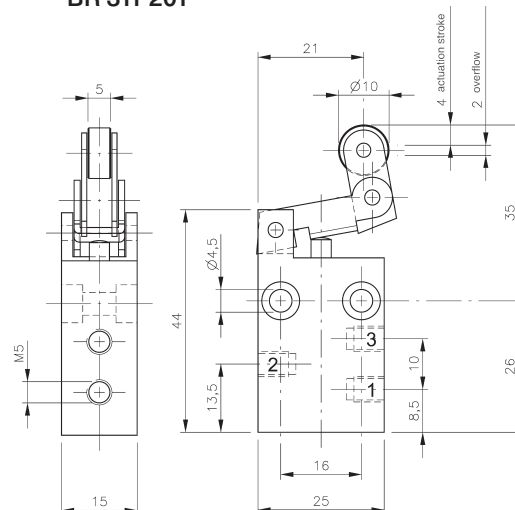
BL 311 201



BV 311 201



BR 311 201



BL 311 201

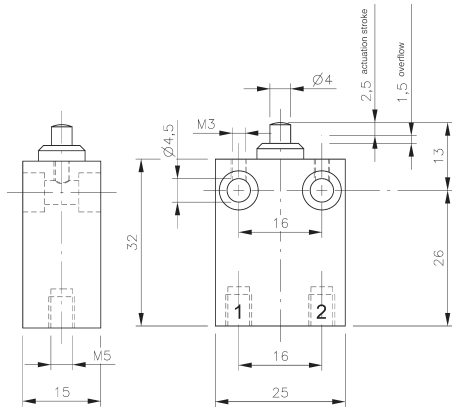
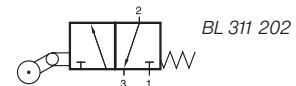
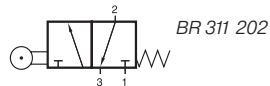
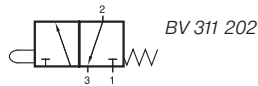
Mechanically actuated 3/2-way spool valve with mechanical spring. All ports are on the side of the valve.

If pressure is applied to port 1 the function is normally closed.
If pressure is applied to port 3 the function is normally open.

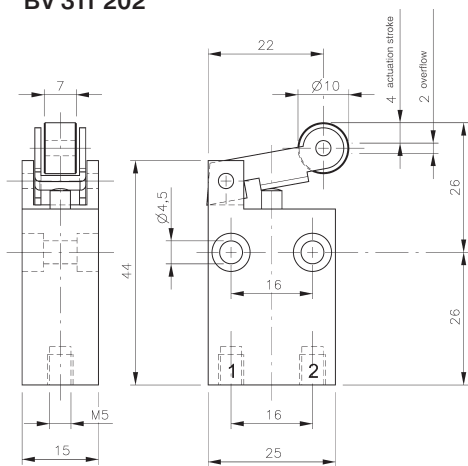
The use of the ports is interchangeable.

Exhaust can be throttled.

Type	Port size	Air flow	Operating press.	Actuating force	Weight
BV 311 201	M5	125 l/min	0 - 10 bar	14 N	0,033 kg
BR 311 201	M5	125 l/min	0 - 10 bar	9 N	0,041 kg
BL 311 201	M5	125 l/min	0 - 10 bar	9 N	0,044 kg



BV 311 202



Mechanically actuated 3/2-way spool valve with mechanical spring.

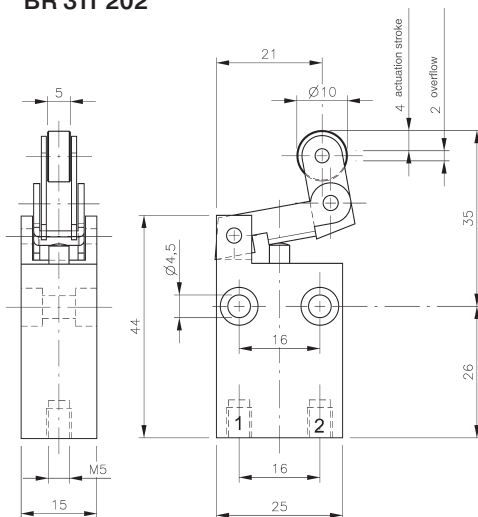
All ports are at the bottom of the valve.

Function is normally closed. When operated the valve opens from 1 to 2.

Exhaust through stem.

Normally open versions can be delivered on request.

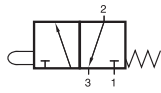
BR 311 202



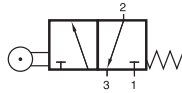
BL 311 202

Type	Port size	Air flow	Operating press.	Actuating force	Weight
BV 311 202	M5	115 l/min	0 - 10 bar	14 N	0,033 kg
BR 311 202	M5	115 l/min	0 - 10 bar	9 N	0,041 kg
BL 311 202	M5	115 l/min	0 - 10 bar	9 N	0,044 kg

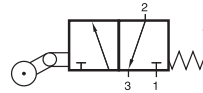
BV/BR/BL 311 243



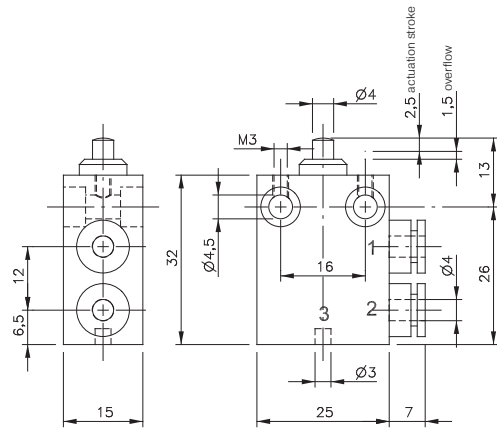
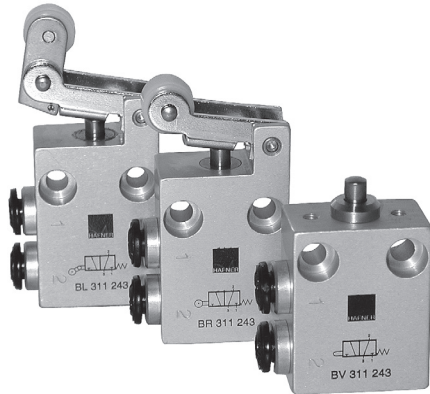
BV 311 243



BR 311 243



BL 311 243



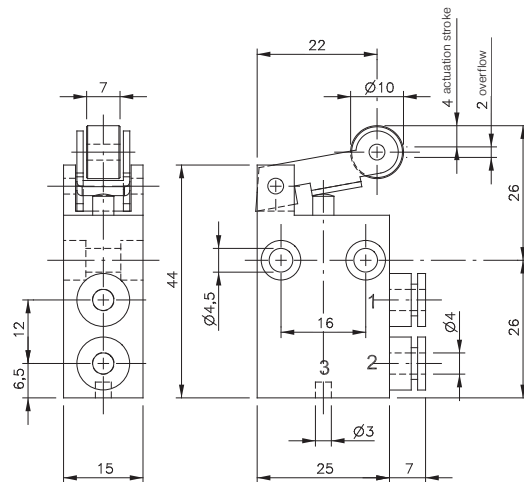
BV 311 243

Mechanically actuated 3/2-way spool valve with mechanical spring. Ports 1 and 2 are on one side of the valve, equipped with 4 mm push-in fittings.

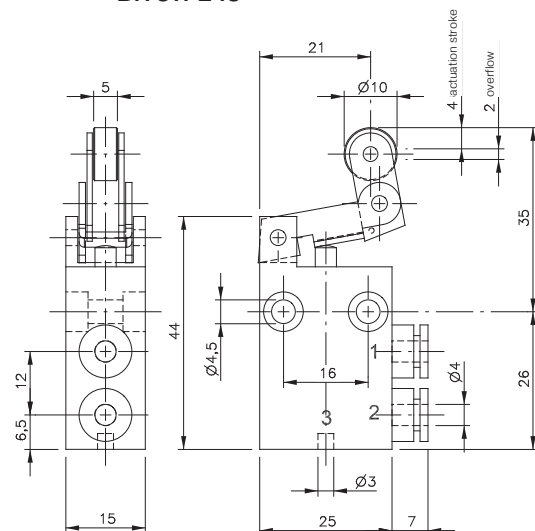
Function is normally closed. When operated the valve opens from 1 to 2.

Exhaust through endcap.

Normally open versions can be delivered on request.

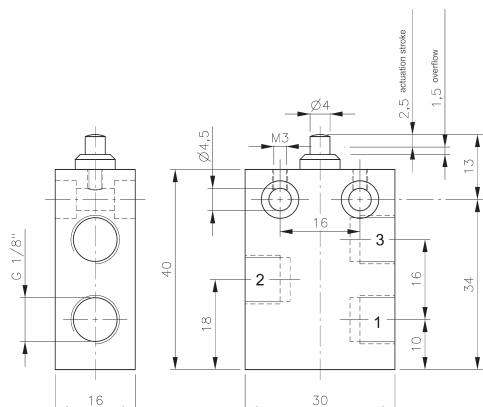
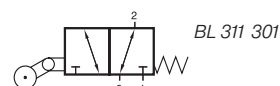
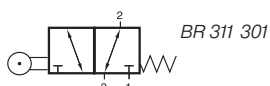
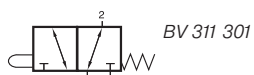


BR 311 243

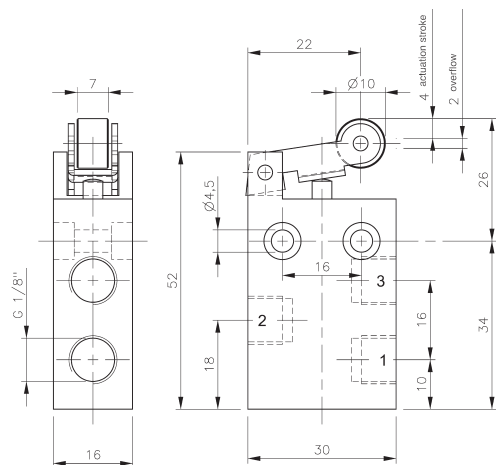


BL 311 243

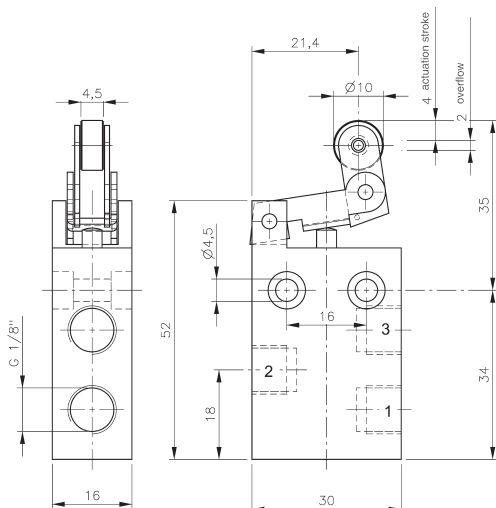
Type	Port size	Air flow	Operating press.	Actuating force	Weight
BV 311 243	pif 4 mm	115 l/min	0 - 10 bar	14 N	0,033 kg
BR 311 243	pif 4 mm	115 l/min	0 - 10 bar	9 N	0,041 kg
BL 311 243	pif 4 mm	115 l/min	0 - 10 bar	9 N	0,044 kg



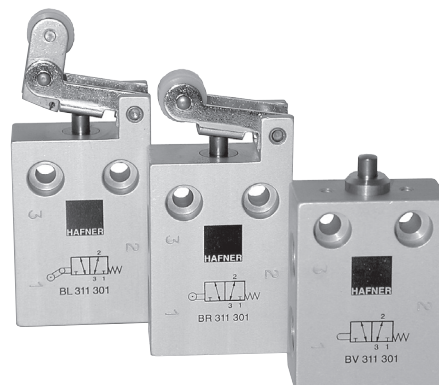
BV 311 301



BR 311 301



BL 311 301



Mechanically actuated 3/2-way spool valve with mechanical spring. All ports are on the side of the valve.

If pressure is applied to port 1 the function is normally closed.

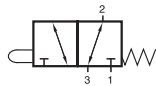
If pressure is applied to port 3 the function is normally open.

The use of the ports is interchangeable.

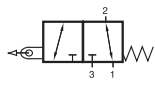
Exhaust can be throttled.

Type	Port size	Air flow	Operating press.	Actuating force	Weight
BV 311 301	G 1/8"	280 l/min	0 - 10 bar	14 N	0,047 kg
BR 311 301	G 1/8"	280 l/min	0 - 10 bar	10 N	0,059 kg
BL 311 301	G 1/8"	280 l/min	0 - 10 bar	10 N	0,061 kg

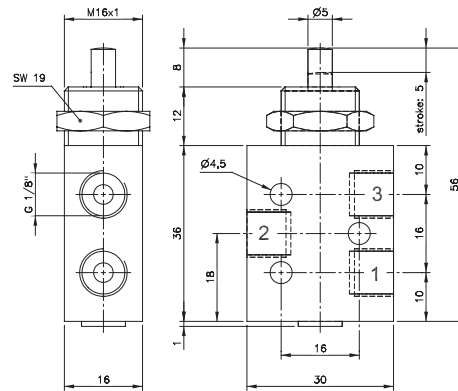
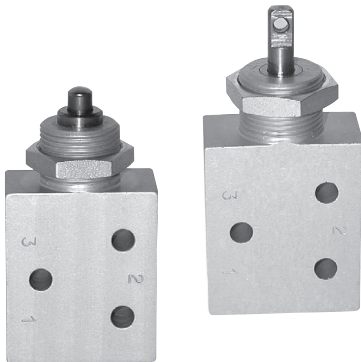
BG 311 401/BZ 311 401



BG 311 401



BZ 311 401



BG 311 401

BG 311 401 stem actuated 3/2-way spool valve with mechanical spring.

BZ 311 401 manually or mechanically actuated G 1/8" 3/2-way valve with mechanical spring. Actuated by pulling the stem.

If pressure is applied to port 1 the function is normally closed.

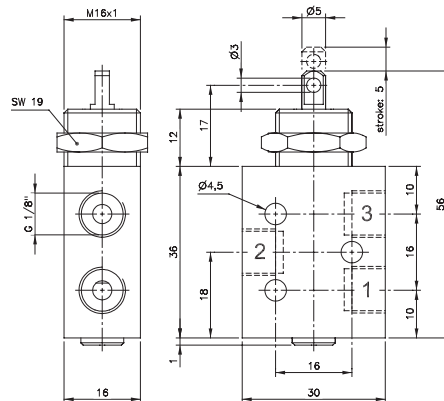
If pressure is applied to port 3 the function is normally open.

The use of the ports is interchangeable.

Exhaust can be throttled.

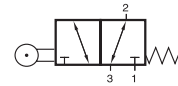
Valve bodies are threaded M16 x 1.

Delivery includes nut M16 x 1.

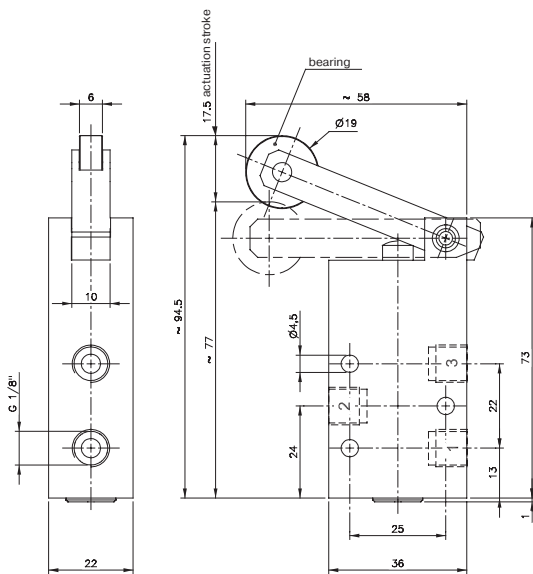


BZ 311 401

Type	Actuation	Port size	Air flow	Operating press.	Actuating force	Weight
BG 311 401	push	G 1/8"	450 l/min	2 - 10 bar	11 N	0,56 kg
BZ 311 401	pull	G 1/8"	450 l/min	2 - 10 bar	12 N	0,56 kg



BR 311 501
BR 311 701



BR 311 501



Heavy-duty 3/2-way roller-lever spool valve with mechanical spring. High flow. Lever-construction has proven capabilities in rough environmental applications for decades.

If pressure is applied to port 1 the function is normally closed.

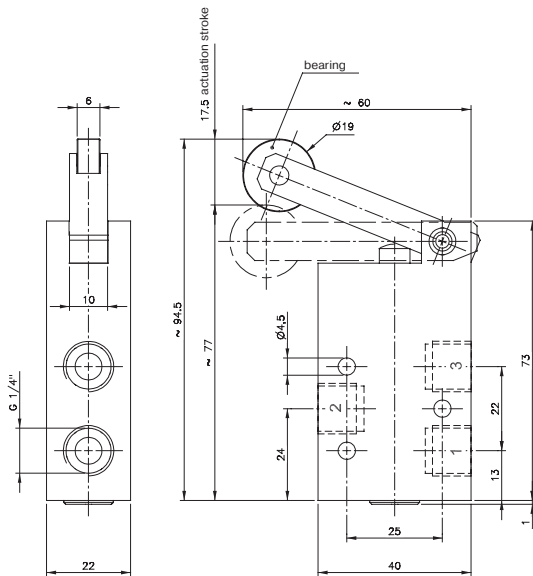
If pressure is applied to port 3 the function is normally open.

The use of the ports is interchangeable.

Exhaust can be throttled.

On request:
Roller-lever valves with idle return.

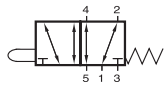
Low temperature version: In this case the ports are not interchangeable, standard: Pressure at port 1 = normally closed, normally open version to be ordered separately.



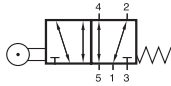
BR 311 701

Type	Port size	Air flow	Operating press.	Actuating force	Weight
BR 311 501	G 1/8"	650 l/min	1 - 10 bar	3,5 N	0,19 kg ❄️
BR 311 701	G 1/4"	1250 l/min	1- 10 bar	3,5 N	0,20 kg ❄️

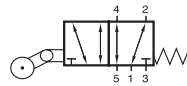
BV/BR/BL 511 201



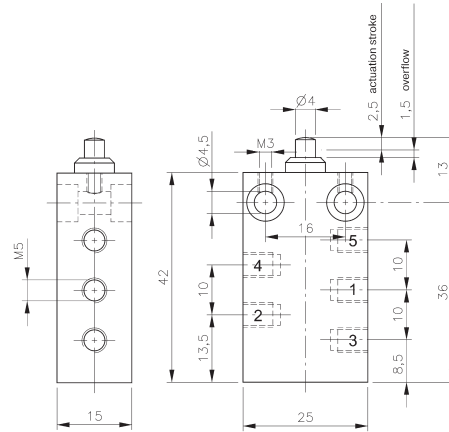
BV 511 201



BR 511 201



BL 511 201

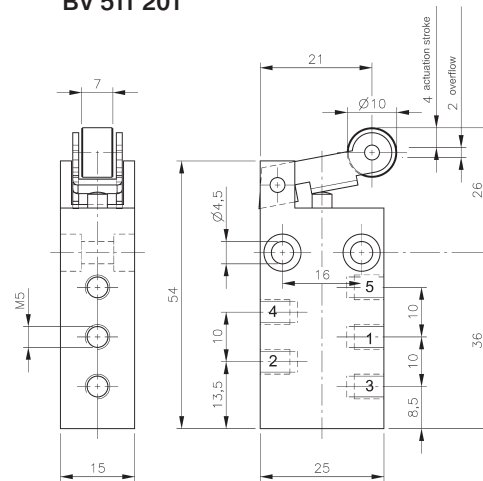


BV 511 201

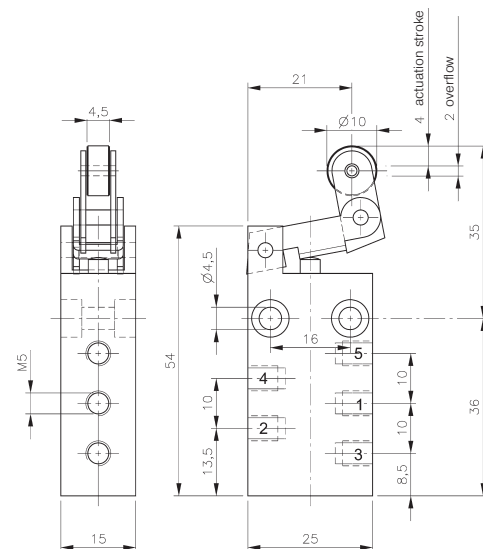
Mechanically actuated 5/2-way spool valve with mechanical spring.

Normally open from 1 to 2 and from 4 to 5.
Operated open from 1 to 4 and 2 to 3.

Exhaust can be throttled.

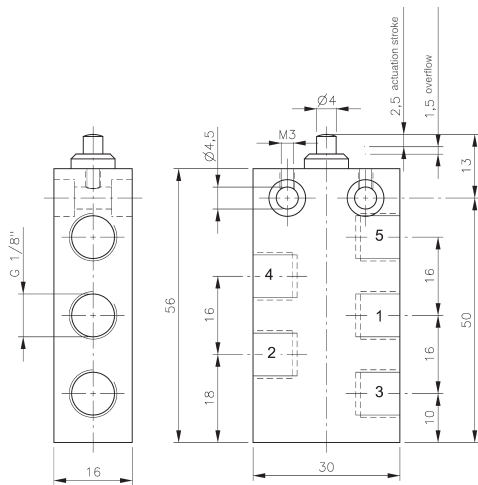
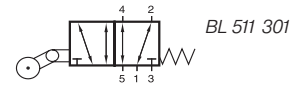
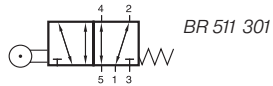
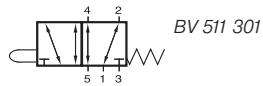


BR 511 201



BL 511 201

Type	Port size	Air flow	Operating press.	Actuating force	Weight
BV 511 201	M5	125 l/min	0 - 10 bar	14 N	0,043 kg
BR 511 201	M5	125 l/min	0 - 10 bar	9 N	0,051 kg
BL 511 201	M5	125 l/min	0 - 10 bar	9 N	0,054 kg

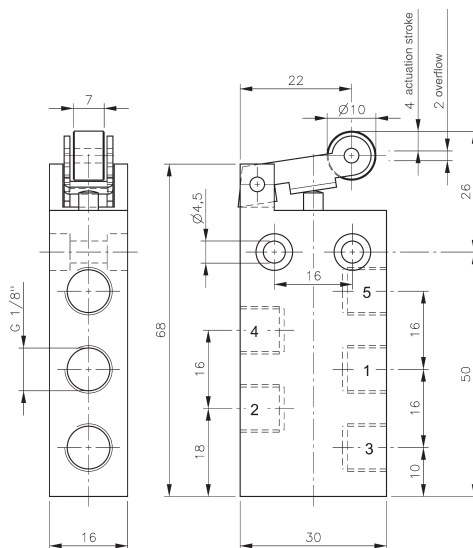


BV 511 301

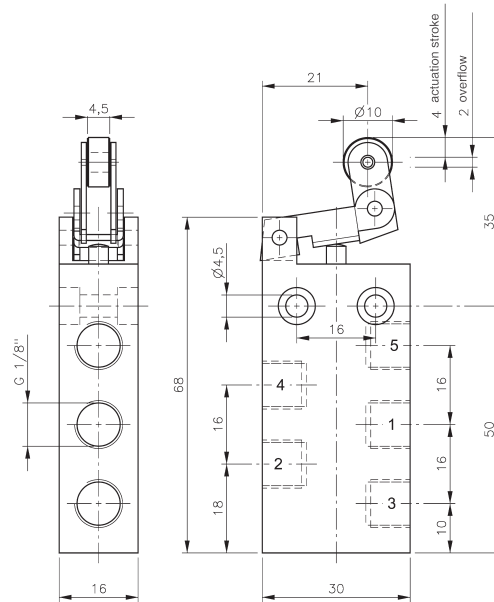
Mechanically actuated 5/2-way spool valve with mechanical spring.

Normally open from 1 to 2 and from 4 to 5.
Operated open from 1 to 4 and 2 to 3.

Exhaust can be throttled.



BR 511 301

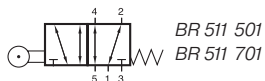


BL 511 301

Type	Port size	Air flow	Operating press.	Actuating force	Weight
BV 511 301	G 1/8"	280 l/min	0 - 10 bar	14 N	0,065 kg
BR 511 301	G 1/8"	280 l/min	0 - 10 bar	10 N	0,077 kg
BL 511 301	G 1/8"	280 l/min	0 - 10 bar	10 N	0,079 kg



BR 511 501/BR 511 701



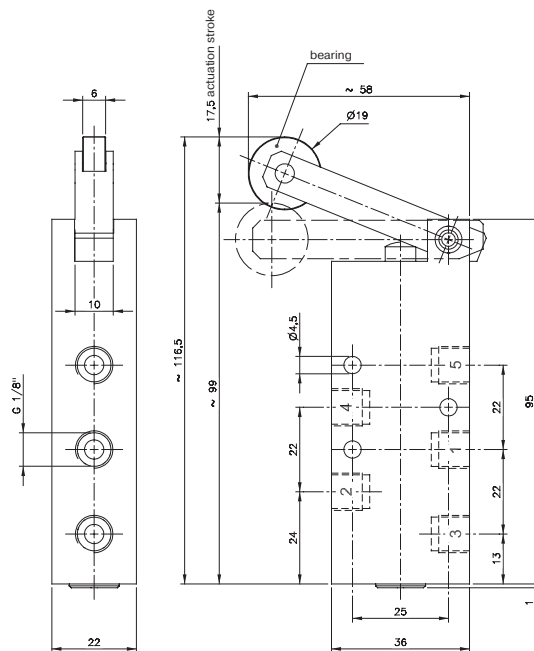
Heavy-duty 5/2-way roller-lever spool valve with mechanical spring. High flow especially for the trucking and railway industry. Lever-construction has proven capabilities in railway applications for decades.

Normally open from 1 to 2 and 4 to 5.
Operated open from 1 to 4 and 2 to 3.

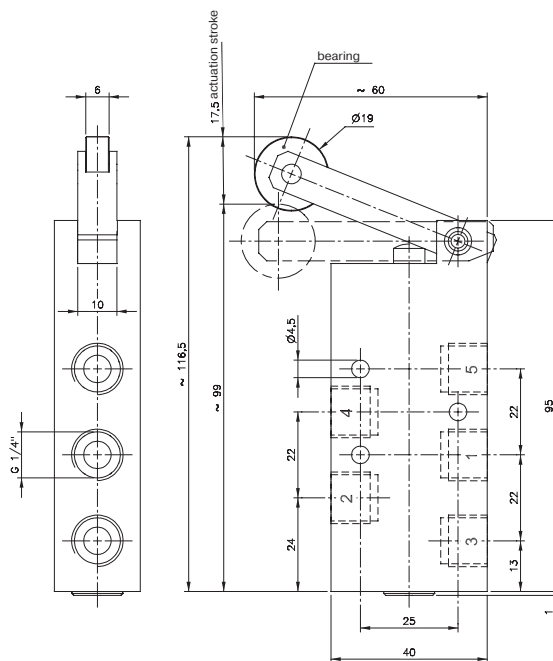
Exhaust can be throttled.

On request:
Roller-lever valves with idle return.

Low temperature version: In this case the ports are not interchangeable, standard: Pressure at port 1 = normally closed, normally open version to be ordered separately.



BR 511 501



BR 511 701

Type	Port size	Air flow	Operating press.	Actuating force	Weight
BR 511 501	G 1/8"	650 l/min	1 - 10 bar	3,5 N	0,23 kg
BR 511 701	G 1/4"	1250 l/min	1- 10 bar	3,5 N	0,25 kg

